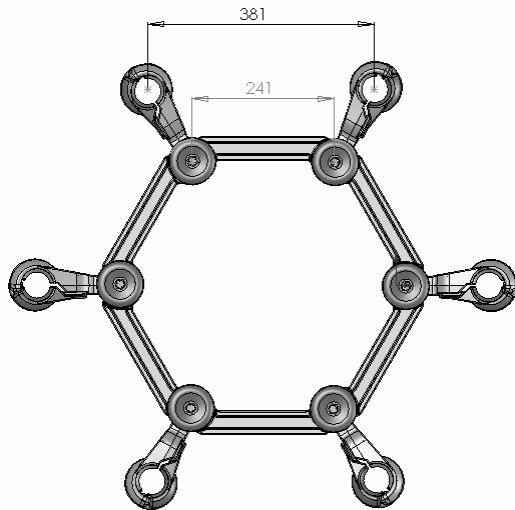


PROTECTIVE FITTINGS

SIX BUNDLE SPACER - DAMPERS

Catalogue Number	Approx. Weight kg
SD6:F1:762	11



Six bundle spacer - Dampers are used to control aeolian vibration and conductor oscillation. Maintain conductor spacing and restore conductor spacing after a short circuit occurs.

Material:

Frame, arm and keeper - Aluminium alloy
Nut and bolt - Galvanized steel
Damping Element - EPDM rubber

These fittings can be supplied to ANSI, IEC and AS Standards as requested.

